

proLED1-02-G22



LED Explosion-proof Light

- +** IP66 water-proof
- X** Easy Installation
- Operating Temp.: -40°C ~+50°C
- Storage Temp.: -40°C ~+80°C
- AC120-277V 50/60Hz
- 140lm/W

Options

Driver	Housing Color	CCT
Sosen Driver	Yellow	3000K 4000K 5000K 5700K



CLASSIFICATIONS & RATINGS

- Class I , Division 2 , Groups A, B , C , D
- Class II , Division 2 , Groups E , F , G
- Class 111 , Division 2
- Zone 2,Group IIC
- Zone 22,Group IIIC

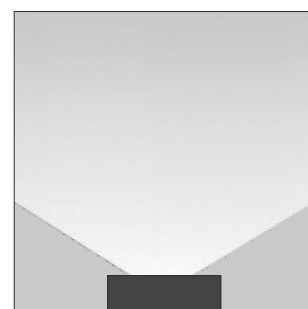
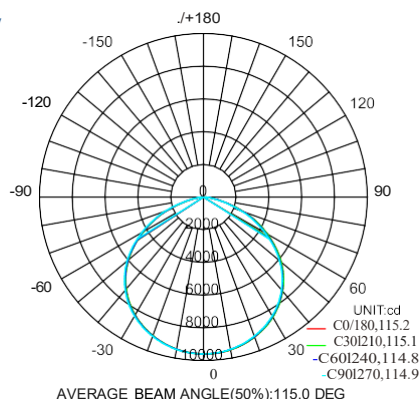
Application

The Explosion Proof Light can be widely used in Refineries,Fuel depots,Marine vessels,Chemical production processing,Food processing,Wineries, and otherhigh humidity,high temperature dusty places.

Specifications

Item	Power	Effi.	Leds	CRI	Weight
EP30W-02-G22	30W	140lm/W	SMD 3030	>80	3.50kg(7.70lbs)
EP50W-02-G22	50W	140lm/W	SMD 3030	>80	3.50kg(7.70lbs)
EP80W-02-G22	80W	140lm/W	SMD 3030	>80	3.50kg(7.70lbs)
EP100W-02-G22	100W	140lm/W	SMD 3030	>80	7.30kg(16.1 lbs)
EP120W-02-G22	120W	140lm/W	SMD 3030	>80	7.30kg(16.1 lbs)
EP150W-02-G22	150W	140lm/W	SMD 3030	>80	7.30kg(16.1 lbs)
EP180W-02-G22	180W	140lm/W	SMD 3030	>80	7.30kg(16.1 lbs)
EP200W-02-G22	200W	140lm/W	SMD 3030	>80	7.30kg(16.1 lbs)
EP300W-02-G22	300W	140lm/W	SMD 3030	>80	20.0kg(44.1 lbs)
EP400W-02-G22	400W	140lm/W	SMD 3030	>80	20.0kg(44.1 lbs)
EP600W-02-G22	600W	140lm/W	SMD 3030	>80	36.0kg(79.4lbs)
EP800W-02-G22	800W	140lm/W	SMD 3030	>80	36.0kg(79.4lbs)

Photometry

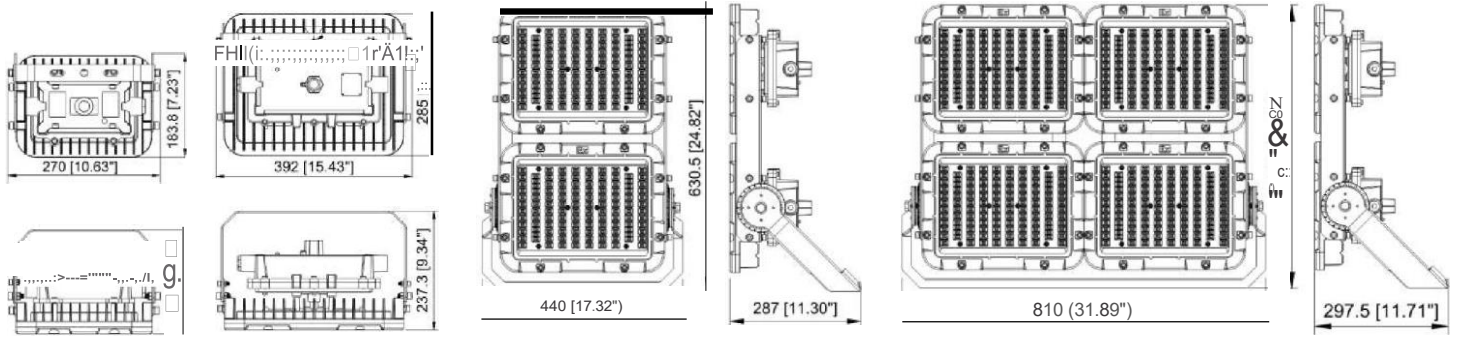


120°

120°

proLED1-02-G22 LED Explosion-proof Light

Dimensions(mm)



30W-80W

100W-200W

300W/400W

600W/800W

Model Options



30W-80W

100W-200W

300W/400W

600W/800W

Installation and use

1

Power	L1	D1
80W	95mm	12mm
200W	229mm	12mm

(Optional)

2

3

GND N L

t

Brown(Black) - L
Blue(White) - N
Green/Yellow - GND

01

Power	L	d1	d2	d3	d4	d5	a1
400W	220mm	40mm	35mm	13mm	17mm	13mm	60°
8QQW	430mm	80mm	40mm	17mm	17mm	17mm	60°

02

2PCS (Optional)

03

04

Brown(Black) --- L
Blue(White) - N
Green/Yellow -- GND

GNO N L

Packing Spec

Item	Boit			Carton		
	Measurement(mm)	Gross weight	Pcs/boit	Measurement(mm)	Gross weight	Pcs/boit
EP30W-80W-02-G22	L305*W225*H145	3.8kg(8.40lbs)	1	L320*W470*H310	8.0kg(17.7lbs)	1
EP100W-200W-02-G22	L440*W340*H235	8.0kg(17.7lbs)	1	/	/	/